

-(July 15, 2010)-

High Speed Dome Color Camera - Day & Night

-(444X Zoom, 680TVL, 0.00005 Lux, WDR, TDN)-

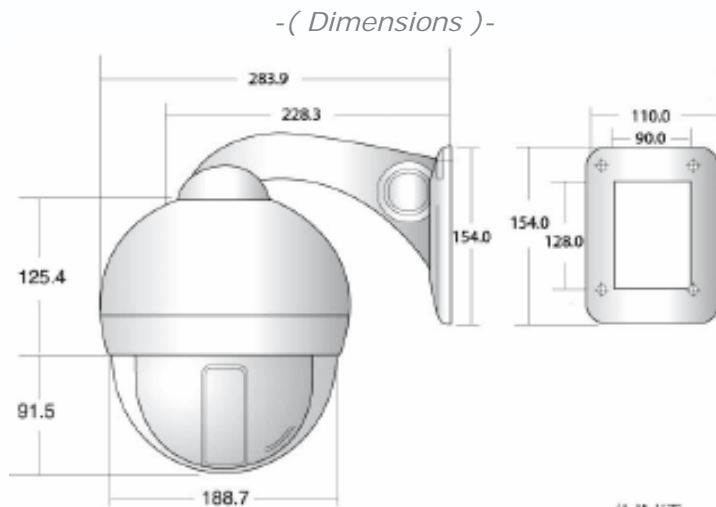
-< Internal Use >-

--< Features >--

- 1/4" Sony Double Density Interline CCD
- 37x AF Optical, 12X Digital (Total 444X Zoom)
- Horizontal Resolution more than 550TV Lines
- Day & Night (ICR), Great Low illumination with DSS, 0.00005 Lux
- SSNR (Noise Reduction at Low Light)
- WDR : Wide Dynamic Range(126X)
- Smart Zoom (Speed control by Zoom ratio)
- 250Programmable Preset Positions
- Swing, Group, Trace, Spiral, Auto Flip, Alarm,
- 16 Privacy Masking Zones
- DIS (Digital Image Stabilizer) - Protecting from shaking, Motion Detection,
- Weather-proof (IP66)
- Suitable for Factory, Military Base, Outdoor, Building etc.
- CE, FCC

--< Images >--

-(Indoor Speed Dome)-



--< Accessories >--



--< Specifications >--

<i>Model name</i>	<i>SDC-37i-N/P</i>	
<i>Signal System</i>	<i>NTSC</i>	<i>PAL</i>
<i>Image Sensor</i>	<i>1/4" Type Sony Double Density Interline CCD</i>	
<i>Effective Pixels</i>	<i>768(H) x 494(V)</i>	<i>752(H) x 582(V)</i>
<i>Horizontal Resolution</i>	<i>Color 550 TV Lines, B/W 680 TV Lines</i>	
<i>Lens</i>	<i>37x Optical zoom, F=3.5 - 129.5mm</i>	
<i>Digital Zoom</i>	<i>12X (Total zoom 444X)</i>	
<i>Angle of View</i>	<i>H : 55.5°~1.59°, V : 42.5°~1.19°</i>	
<i>Minimum Illumination</i>	<i>0.5 Lux, 0.1 Lux (D&N), Min. 0.00005 Lux (DSS) / F1.6</i>	
<i>Luminance S/N ratio</i>	<i>More than 52dB</i>	
<i>Video Output</i>	<i>1 Vp-p Composite video output 75 ohm</i>	
<i>Focus Mode</i>	<i>Auto / Manual / One shot</i>	
<i>SSNR</i>	<i>Off / Low / Middle / High</i>	
<i>Back Light</i>	<i>Off / Low / Middle / High</i>	
<i>Shutter Speed</i>	<i>Auto / 1/20 - 1/60,000 sec</i>	
<i>Sharpness Control</i>	<i>Level (0~10)</i>	
<i>Stabilizer</i>	<i>On/ Off</i>	
<i>Alarm Input</i>	<i>4 Inputs / 1 Relay Output</i>	
<i>Pan / Tilt Angle</i>	<i>360° Endless / 92°</i>	
<i>Pan Speed</i>	<i>0.1°~240°/sec (64 Levels)°</i>	
<i>Preset Point</i>	<i>250 Presets</i>	
<i>Preset Speed</i>	<i>Max. 360°/sec (64 Levels)</i>	
<i>Privacy Masking Zone</i>	<i>16 Zones</i>	
<i>Communication System</i>	<i>RS-485 / RS-422, Multi Protocol (Pelco D, Pelco P, etc.)</i>	
<i>Operating Temperature</i>	<i>-10℃~50℃ (-14°F~122°F)</i>	
<i>Operating Humidity</i>	<i>Less than 90%RH</i>	
<i>Dimensions</i>	<i>188.7(Diameter) x 216.9(Height) mm</i>	
<i>Weight</i>	<i>About 3.1Kg (without Adaptor)</i>	
<i>Construction</i>	<i>Aluminum Body, Clear Vandal Bubble (poly carbonate)</i>	
<i>Power Consumption</i>	<i>18Watt (Max)</i>	
<i>Power Supply</i>	<i>AC24V, 60/50 Hz</i>	

High Speed Dome Color Camera - Day & Night

-(444X Zoom, 680TVL, 0.00005 Lux, WDR, TDN)-

-< External Use >-

--< Features >--

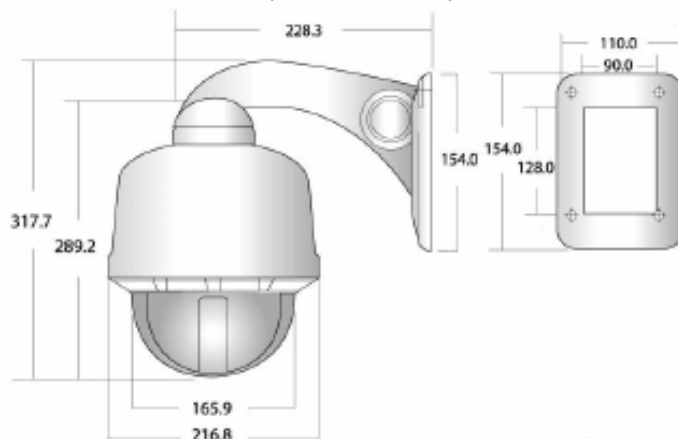
- 1/4" Sony Double Density Interline CCD
- 37x AF Optical, 12X Digital (Total 444X Zoom)
- Horizontal Resolution more than 550TV Lines
- Day & Night (ICR), Great Low illumination with DSS, 0.00005 Lux
- SSNR (Noise Reduction at Low Light)
- WDR : Wide Dynamic Range(126X)
- Smart Zoom (Speed control by Zoom ratio)
- 250Programmable Preset Positions
- Swing, Group, Trace, Spiral, Auto Flip, Alarm,
- 16 Privacy Masking Zones
- DIS (Digital Image Stabilizer) - Protecting from shaking, Motion Detection,
- Weather-proof (IP66)
- Suitable for Factory, Military Base, Outdoor, Building etc.
- CE, FCC

--< Images >--

-(Outdoor Speed Dome)-

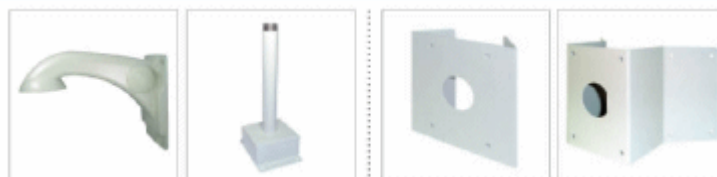


-(Dimensions)-



(UNIT : mm)

--< Accessories >--



--< Specifications >--

Model name	SDC-37e-N/P	
Signal System	NTSC	PAL
Image Sensor	1/4" Sony Double Density Interline CCD	
Effective Pixels	768(H) x 494(V)	752(H) x 582(V)
Horizontal Resolution	Color 550 TV Lines, B/W 680 TV Lines	
Lens	37x Optical zoom, F=3.5 - 129.5mm	

Digital Zoom	12X (Total zoom 444X)
Angle of View	H : 55.5°~1.59°, V : 42.5°~1.19°
Minimum Illumination	0.5 Lux, 0.1 Lux (D&N), Min. 0.00005 Lux (DSS) / F1.6
Luminance S/N ratio	More than 52dB
Video Output	1 Vp-p Composite video output 75 ohm
Focus Mode	Auto / Manual / One shot
SSNR	Off / Low / Middle / High
WDR	On / Off
Shutter Speed	Auto / 1/20 - 1/60,000 sec
Sharpness Control	Level (0~10)
Stabilizer	On/ Off
Alarm Input	4 Inputs / 1 Relay Output
Pan / Tilt Angle	360° Endless / 92°
Pan Speed	0.1°~240°/sec (64 Levels)°
Preset Point	250 Presets
Preset Speed	Max. 360°/sec (64 Levels)
Privacy Masking Zone	16 Zones
Communication System	RS-485 / RS-422, Multi Protocol (Pelco D, Pelco P, etc.)
Operating Temperature	-40℃~50℃ (-40°F~122°F)
Operating Fan / Heater	Over than 45℃ / Less than 5℃
Operating Humidity	Less than 90%RH
Dimensions	216.8 (Diameter) x 289.2 (Height) mm
Weight	About 5.2Kg (without Adaptor)
Construction	Aluminum Body, Clear Vandal Bubble (poly carbonate)
Power Consumption	21Watt (Max)
Power Supply	AC24V, 60/50 Hz